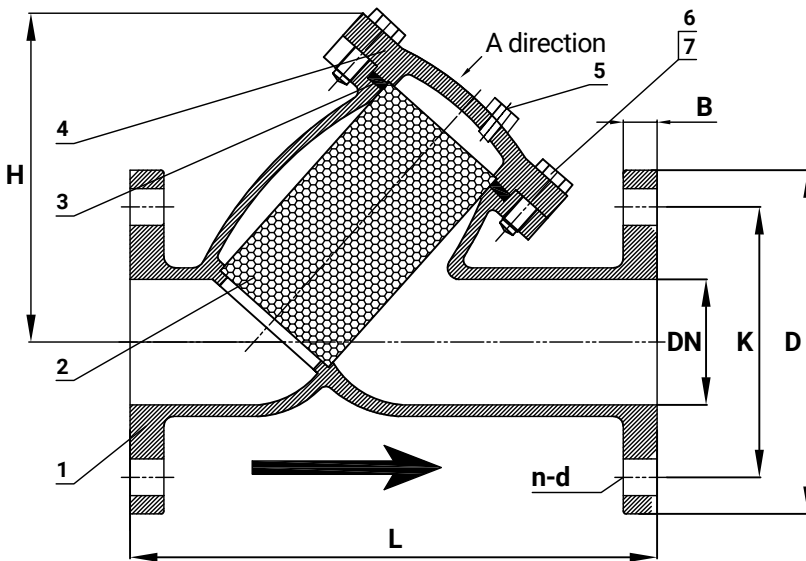


## 8" Ductile Iron Y Strainer

### Flanged, SS304 Screen

Ductile iron flanged Y-strainer with epoxy coating and stainless steel screen, nuts, and bolts.



<b>Size</b>	8"
<b>Connections</b>	Flanged / ANSI 125
<b>Pressure Rating</b>	200 PSI
<b>Temperature Rating</b>	-4° to 180° F
<b>Length (End to End)</b>	21.4"
<b>Weight</b>	177 lbs

### Features

- Ductile Iron Body & Cover
- Fusion-Bonded Epoxy Coating Inside & Outside
- Flanges Conform to ANSI B16.1

### Dimensions

Size	DN <sup>±1.5</sup>	L <sup>±3</sup>	D <sup>±3</sup>	K <sup>±1.5</sup>	B <sup>±2.5</sup>	n-d <sup>±1.5</sup>	H <sup>±20</sup>
in.	mm	in.	mm	in.	mm	mm (in.)	in.
2"	50	8 <sup>7</sup> / <sub>8</sub>	225	6	152	4 <sup>3</sup> / <sub>4</sub> 120.5	5 <sup>5</sup> / <sub>16</sub> 135
3"	80	11 <sup>1</sup> / <sub>2</sub>	292	7 <sup>1</sup> / <sub>2</sub>	191	6 152.5	6 <sup>3</sup> / <sub>4</sub> 172
4"	100	13 <sup>7</sup> / <sub>8</sub>	352	9	229	7 <sup>1</sup> / <sub>2</sub> 190.5	8 <sup>1</sup> / <sub>8</sub> 207
6"	150	18 <sup>1</sup> / <sub>2</sub>	470	11	279	9 <sup>1</sup> / <sub>2</sub> 241.5	11 279
8"	200	21 <sup>3</sup> / <sub>8</sub>	543	13 <sup>1</sup> / <sub>2</sub>	343	11 <sup>1</sup> / <sub>4</sub> 298.5	13 <sup>3</sup> / <sub>4</sub> 350
10"	250	26	660	16	406	14 <sup>1</sup> / <sub>4</sub> 362	17 <sup>1</sup> / <sub>16</sub> 436
12"	300	30	762	19	483	17 432	19 <sup>15</sup> / <sub>16</sub> 506

### Materials List

No.	Part Name	Material
1	Body	Ductile Iron
2	Screen	SS304
3	Cover Gasket	EPDM
4	Cover	Ductile Iron
5	Plug	A2-70 (SS304)
6	Bolt & Nut	A2-70 (SS304)
7	Washer	A2-70 (SS304)

### Screen Inlets

Size	C	L1
in.	mm	mm
2"	2	4
3"	2	4
4"	2	4
6"	3	5
8"	5	7
10"	5	7
12"	5	7

