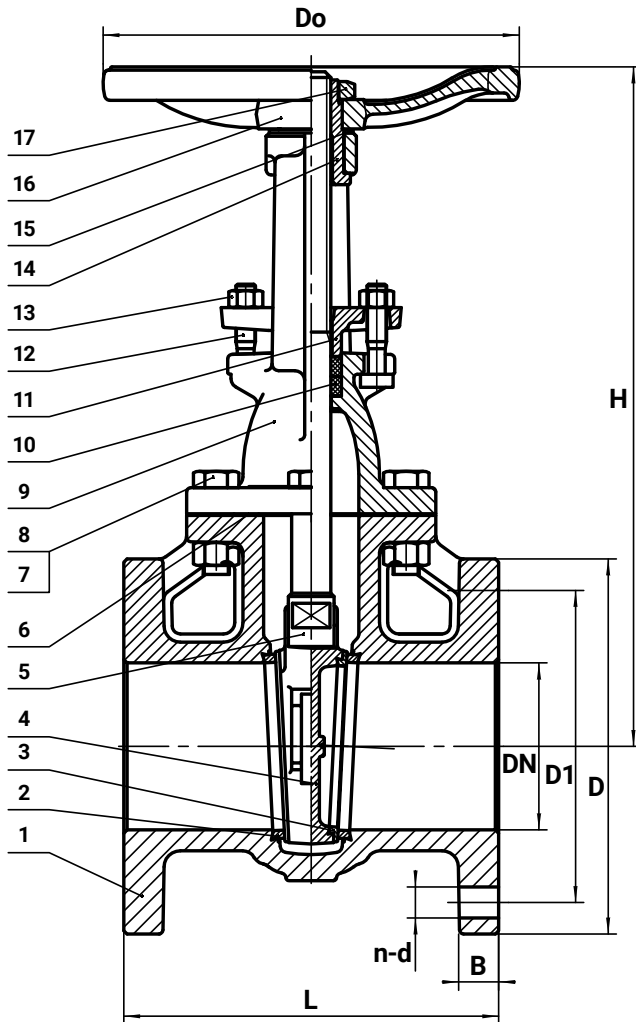


8" Cast Iron Gate Valve Metal Seated, Rising Stem

Cast iron gate valve with cast bronze seat and rising stem.



Size	8"
Design Standard	MSS SP-70
Stem	Rising Stem
Operator	Handwheel
Connections	Flanged / ANSI 125
Length (End to End)	11.5"
Weight	239 lbs

Features

- Suitable for Water, Oil & Steam
- Rising Stem
- Solid Wedge
- Flanges Conform to ANSI B16.1

Materials List

No.	Part Name	Material
1	Body	Cast Iron ASTM A 126-B
2	Body Seat Ring	Cast Bronze ASTM B 62
3	Wedge Seat Ring	Cast Bronze ASTM B 62
4	Wedge	Cast Iron ASTM A 126-B
5	Stem	Stainless Steel SS420
6	Gasket	Graphite Non-Asbestos
7	Bolt	Steel
8	Nut	Steel
9	Bonnet	Cast Iron ASTM A 126-B
10	Packing	Graphite Non-Asbestos
11	Gland Follower	Ductile Iron ASTM A536 60-40-18
12	Bolt	Steel
13	Nut	Steel
14	Stem Nut	Cast Brass
15	Handwheel Washer	Brass ASTM B 16
16	Handwheel	Cast Iron ASTM A 126-B
17	Handwheel Nut	Steel

Dimensions

Size	L	D	D1	n-d	B	Do	H						
in.	in.	mm	in.	mm	in.	mm	in.						
2"	7	178	6	152	4 $\frac{3}{4}$	121	4-19 ($\frac{3}{4}$)	7 $\frac{5}{8}$	15.9	7	178	10 $\frac{3}{16}$	258
3"	8	203	7 $\frac{1}{2}$	190	6	152.5	4-19 ($\frac{3}{4}$)	7 $\frac{7}{8}$	19.1	8	203	13 $\frac{7}{16}$	341
4"	9	229	9	229	7 $\frac{1}{2}$	190.5	8-19 ($\frac{3}{4}$)	1 $\frac{5}{16}$	23.9	9	229	16 $\frac{5}{16}$	415
6"	10 $\frac{1}{2}$	267	11	279	9 $\frac{1}{2}$	241.5	8-22 ($\frac{7}{8}$)	1	25.4	10 $\frac{1}{2}$	267	22 $\frac{1}{16}$	560
8"	11 $\frac{1}{2}$	292	13 $\frac{1}{2}$	343	11 $\frac{3}{4}$	298.5	8-22 ($\frac{7}{8}$)	1 $\frac{1}{8}$	28.6	11 $\frac{1}{2}$	292	27 $\frac{1}{16}$	703