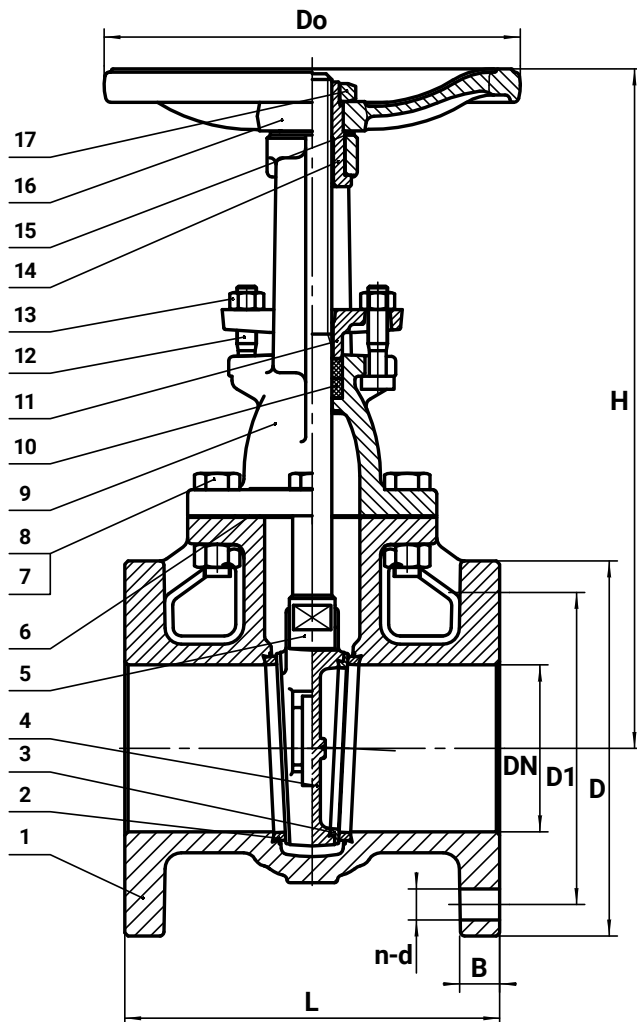


6" Cast Iron Gate Valve Metal Seated, Rising Stem

Cast iron gate valve with cast bronze seat and rising stem.



Size	6"
Design Standard	MSS SP-70
Stem	Rising Stem
Operator	Handwheel
Connections	Flanged / ANSI 125
Length (End to End)	10.5"
Weight	145 lbs

Features

- Suitable for Water, Oil & Steam
- Rising Stem
- Solid Wedge
- Flanges Conform to ANSI B16.1

Materials List

No.	Part Name	Material
1	Body	Cast Iron ASTM A 126-B
2	Body Seat Ring	Cast Bronze ASTM B 62
3	Wedge Seat Ring	Cast Bronze ASTM B 62
4	Wedge	Cast Iron ASTM A 126-B
5	Stem	Stainless Steel SS420
6	Gasket	Graphite Non-Asbestos
7	Bolt	Steel
8	Nut	Steel
9	Bonnet	Cast Iron ASTM A 126-B
10	Packing	Graphite Non-Asbestos
11	Gland Follower	Ductile Iron ASTM A536 60-40-18
12	Bolt	Steel
13	Nut	Steel
14	Stem Nut	Cast Brass
15	Handwheel Washer	Brass ASTM B 16
16	Handwheel	Cast Iron ASTM A 126-B
17	Handwheel Nut	Steel

Dimensions

Size	L	D	D1	n-d	B	Do	H						
in.	in.	mm	in.	mm	in.	mm	in.						
2"	7	178	6	152	4 ³ / ₄	121	4-19 (3/4)	7	178	10 ³ / ₁₆	258		
3"	8	203	7 ¹ / ₂	190	6	152.5	4-19 (3/4)	7 ⁷ / ₈	200	13 ⁷ / ₁₆	341		
4"	9	229	9	229	7 ¹ / ₂	190.5	8-19 (3/4)	1 ⁵ / ₁₆	23.9	10	254	16 ⁵ / ₁₆	415
6"	10 ¹ / ₂	267	11	279	9 ¹ / ₂	241.5	8-22 (7/8)	1	25.4	11	280	22 ¹ / ₁₆	560
8"	11 ¹ / ₂	292	13 ¹ / ₂	343	11 ³ / ₄	298.5	8-22 (7/8)	1 ¹ / ₈	28.6	11 ¹ / ₄	300	27 ¹ / ₁₆	703