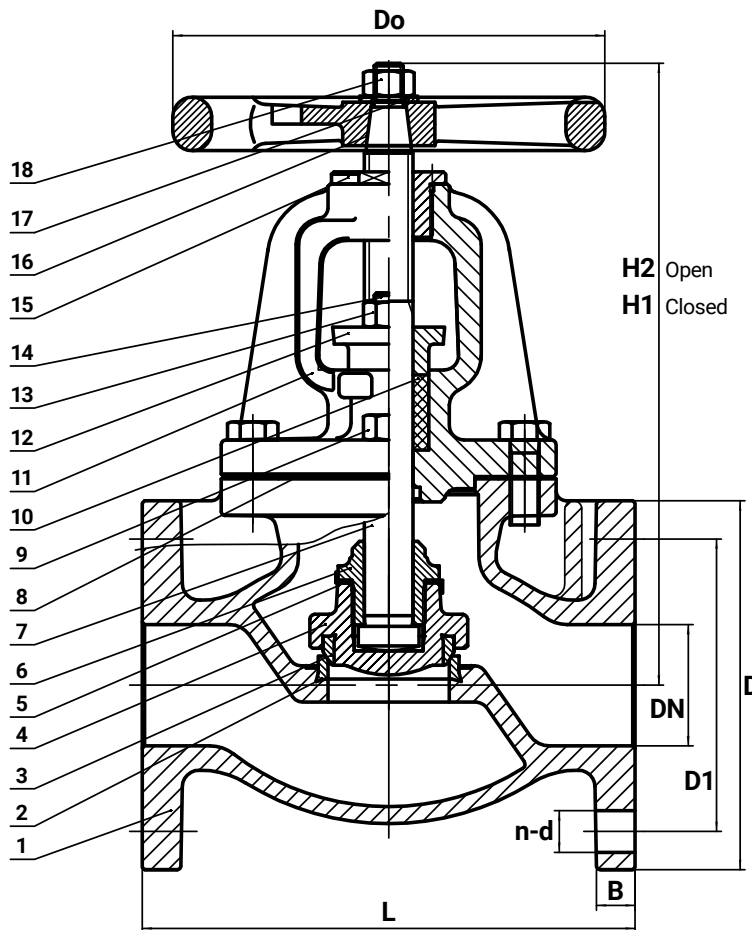


## 6" Cast Iron Globe Valve Metal Seated

Cast iron globe valve with cast bronze seat.



<b>Size</b>	6"
<b>Design Standard</b>	MSS SP-85
<b>Connections</b>	Flanged / ANSI 125
<b>Operator</b>	Handwheel
<b>Pressure Rating</b>	200 PSI @ -20° to 150° F 125 PSI @ 450° F
<b>Length (End to End)</b>	14"
<b>Weight</b>	205 lbs

### Features

- Suitable for Water, Oil & Steam
- Flanges Conform to ANSI B16.1

### Materials List

No.	Part Name	Material
1	Body	Cast Iron ASTM A 126-B
2	Body Seat Ring	Cast Bronze ASTM B 62
3	Disc Seat Ring	Cast Bronze ASTM B 63
4	Disc Seat Ring	Cast Iron ASTM A 126-B
5	Washer	Stainless Steel ASTM 304
6	Disc Nut	Cast Brass
7	Stem	Stainless Steel SS420
8	Gasket	Graphite Non-Asbestos
9	Bolt	Steel ASTM A 307-B
10	Packing	Graphite Non-Asbestos
11	Bonnet	Cast Iron ASTM A 126-B
12	Packing Gland	Ductile Iron ASTM A536 65-45-12
13	Nut	Steel
14	Bolt	Steel
15	Stem Nut	Cast Brass
16	Handwheel	Cast Iron ASTM A 126-B
17	Washer	Steel
18	Nut	Steel ASTM A 563-B

### Dimensions

Size	L	D	D1	B	n-d	Do	H1	H2						
in.	in.	mm	in.	mm	in.	mm	mm (in.)	in.	mm	in.	mm			
2"	8	203	6	152	4 <sup>3</sup> / <sub>4</sub>	121	5 <sup>1</sup> / <sub>8</sub> 15.9	4-19 (3/4)	7	178	10 <sup>1</sup> / <sub>16</sub>	256	10 <sup>13</sup> / <sub>16</sub>	274
3"	9 <sup>1</sup> / <sub>2</sub>	241	7 <sup>1</sup> / <sub>2</sub>	190	6	153	3 <sup>1</sup> / <sub>4</sub> 19.1	4-19 (3/4)	7 <sup>7</sup> / <sub>8</sub>	200	12 <sup>11</sup> / <sub>16</sub>	323	13 <sup>3</sup> / <sub>8</sub>	353
4"	11 <sup>1</sup> / <sub>2</sub>	292	9	229	7 <sup>1</sup> / <sub>2</sub>	191	1 <sup>5</sup> / <sub>16</sub> 23.9	8-19 (3/4)	10	254	14 <sup>3</sup> / <sub>8</sub>	365	15 <sup>1</sup> / <sub>2</sub>	403
6"	14	356	11	279	9 <sup>1</sup> / <sub>2</sub>	242	1 25.4	8-22 (7/8)	11 <sup>1</sup> / <sub>8</sub>	300	18 <sup>5</sup> / <sub>8</sub>	472	20 <sup>1</sup> / <sub>16</sub>	529
8"	19 <sup>1</sup> / <sub>2</sub>	495	13 <sup>1</sup> / <sub>2</sub>	343	11 <sup>3</sup> / <sub>4</sub>	299	1 <sup>1</sup> / <sub>8</sub> 28.6	8-22 (7/8)	13 <sup>3</sup> / <sub>4</sub>	348	21	533	23 <sup>1</sup> / <sub>16</sub>	605