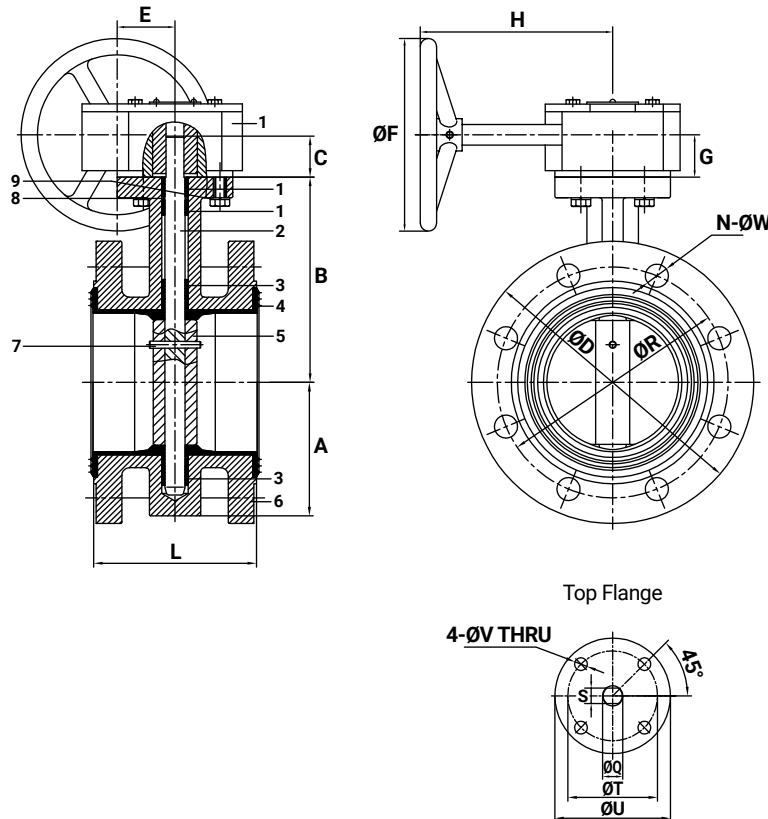


6" Ductile Iron Butterfly Valve | Flanged EPDM Seat, Gear Operated

Ductile iron flanged butterfly valve with nickel plated ductile iron disc and EPDM seat.



Size	6"
Body Material	Ductile Iron
Body Design	Flanged - Centric
Operation	Gearbox
Connections	Flange / ANSI 125/150
Pressure Rating	150 PSI
Length (End to End)	5.5"
Weight	56 lbs

Features

- Gearbox operator is self-locking in any position for throttle control
- Flanged body design offers dead-end service without the use of a downstream companion flange
- Fusion-Bonded Epoxy Coating

Materials List

No.	Part Name	Material	No.	Part Name	Material
1	Bushing	PTFE	6	Body	Ductile Iron
2	Stem	SS416	7	Taper Pin	SS410
3	Bushing	PTFE	8	O-Ring	EPDM
4	Seat	EPDM	9	Bolt	SS410
5	Disc	Ductile Iron			

Dimensions

Size	A		B		C		Class150 (in. mm)			E		ØF		G	H	L	øQ	S	øT	øU	øV										
	in.	in. mm	in.	in. mm	in.	in. mm	ØD	øR	N-ØW (in.)	in.	in. mm	in.	in. mm	in.	in. mm	in.	in. mm	in.	in. mm	in.	in. mm										
3"	3 ³ / ₁₆	85	5 ⁵ / ₁₆	150	1 ¹ / ₄	32	7 ¹ / ₂	191	6	152.4	4-19 (¾)	1 ¹ / ₄	44	5 ⁵ / ₁₆	135	1 ¹ / ₈	28	5 ¹ / ₂	139	4 ¹ / ₂	114	½	12.7	¾	10	3 ³ / ₁₆	90	2 ³ / ₈	70	¾	9.5
4"	4 ¹ / ₈	104	6 ⁵ / ₁₆	160	1 ¹ / ₄	32	9	229	7 ¹ / ₂	190.5	4-19 (¾)	1 ¹ / ₄	44	5 ⁵ / ₁₆	135	1 ¹ / ₈	28	5 ¹ / ₂	139	5	127	¾	15.88	½	12	3 ³ / ₁₆	90	2 ³ / ₈	70	¾	9.5
6"	5 ⁵ / ₁₆	130	7 ⁷ / ₁₆	200	1 ¹ / ₄	32	11	279	9 ¹ / ₂	241	8-22 (7/8)	1 ¹ / ₄	44	5 ⁵ / ₁₆	135	1 ¹ / ₈	28	5 ¹ / ₂	139	5 ¹ / ₂	140	¾	19.05	¾	14	3 ³ / ₁₆	90	2 ³ / ₈	70	¾	9.5
8"	6 ⁵ / ₁₆	160	9 ¹ / ₁₆	230	1 ¹ / ₂	38	13 ¹ / ₂	343	11 ³ / ₄	298	8-22 (7/8)	2 ¹ / ₁₆	62	10 ¹³ / ₁₆	275	1 ¹ / ₈	40	8 ⁵ / ₁₆	211	6	152	¾	22.23	1 ¹ / ₁₆	17	4 ¹⁵ / ₁₆	125	4 ³ / ₈	105	¾	11.5
10"	7 ⁷ / ₁₆	194	10 ¹ / ₄	260	1 ¹ / ₂	38	16	406	14 ¹ / ₄	362	12-25 (1)	2 ¹ / ₁₆	62	10 ¹³ / ₁₆	275	1 ¹ / ₈	40	8 ⁵ / ₁₆	211	6 ¹ / ₂	165	1 ¹ / ₈	28.58	¾	22	4 ¹⁵ / ₁₆	125	4 ³ / ₈	105	¾	11.5
12"	8 ¹¹ / ₁₆	220	11 ¹¹ / ₁₆	300	1 ¹ / ₂	38	19	483	17	432	12-25 (1)	3 ³ / ₁₆	78	10 ¹³ / ₁₆	275	1 ¹ / ₈	40	8 ¹¹ / ₁₆	220	7	178	1 ¹ / ₄	31.75	1 ⁹ / ₁₆	24	4 ¹⁵ / ₁₆	125	4 ³ / ₈	105	¾	11.5