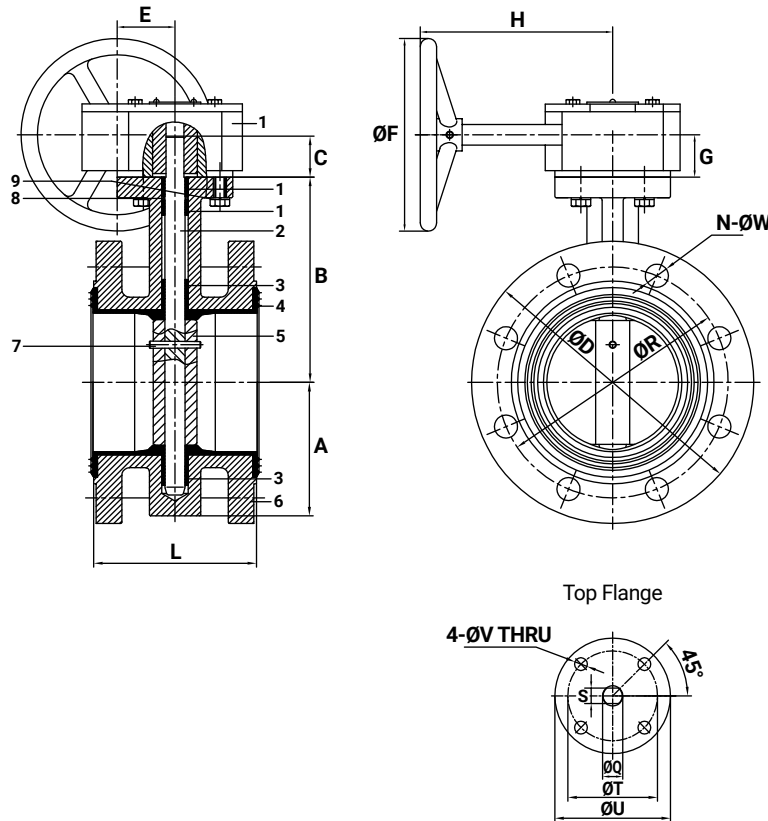


## 4" Ductile Iron Butterfly Valve | Flanged EPDM Seat, Gear Operated

Ductile iron flanged butterfly valve with nickel plated ductile iron disc and EPDM seat.



<b>Size</b>	4"
<b>Body Material</b>	Ductile Iron
<b>Body Design</b>	Flanged - Centric
<b>Operation</b>	Gearbox
<b>Connections</b>	Flange / ANSI 125/150
<b>Pressure Rating</b>	150 PSI
<b>Length (End to End)</b>	5"
<b>Weight</b>	36 lbs

### Features

- Gearbox operator is self-locking in any position for throttle control
- Flanged body design offers dead-end service without the use of a downstream companion flange
- Fusion-Bonded Epoxy Coating

### Materials List

No.	Part Name	Material	No.	Part Name	Material
1	Bushing	PTFE	6	Body	Ductile Iron
2	Stem	SS416	7	Taper Pin	SS410
3	Bushing	PTFE	8	O-Ring	EPDM
4	Seat	EPDM	9	Bolt	SS410
5	Disc	Ductile Iron			

### Dimensions

Size	A		B		C		Class150 (in. mm)			E		ØF		G	H	L	øQ	S	øT	øU	øV										
	in.	in. mm	in.	mm	in.	mm	ØD	øR	N-ØW (in.)	in.	mm	in.	mm	in.	mm	in.	mm	in.	mm	in.	mm	in.	mm								
3"	3 <sup>3</sup> / <sub>8</sub>	85	5 <sup>5</sup> / <sub>8</sub>	150	1 <sup>1</sup> / <sub>4</sub>	32	7 <sup>1</sup> / <sub>2</sub>	191	6	152.4	4-19 (¾)	1 <sup>1</sup> / <sub>4</sub>	44	5 <sup>5</sup> / <sub>16</sub>	135	1 <sup>1</sup> / <sub>8</sub>	28	5 <sup>1</sup> / <sub>2</sub>	139	4 <sup>1</sup> / <sub>2</sub>	114	½	12.7	¾	10	3 <sup>3</sup> / <sub>8</sub>	90	2 <sup>1</sup> / <sub>8</sub>	70	¾	9.5
4"	4 <sup>1</sup> / <sub>8</sub>	104	6 <sup>5</sup> / <sub>16</sub>	160	1 <sup>1</sup> / <sub>4</sub>	32	9	229	7 <sup>1</sup> / <sub>2</sub>	190.5	4-19 (¾)	1 <sup>1</sup> / <sub>4</sub>	44	5 <sup>5</sup> / <sub>16</sub>	135	1 <sup>1</sup> / <sub>8</sub>	28	5 <sup>1</sup> / <sub>2</sub>	139	5	127	¾	15.88	½	12	3 <sup>3</sup> / <sub>8</sub>	90	2 <sup>1</sup> / <sub>8</sub>	70	¾	9.5
6"	5 <sup>5</sup> / <sub>8</sub>	130	7 <sup>7</sup> / <sub>8</sub>	200	1 <sup>1</sup> / <sub>4</sub>	32	11	279	9 <sup>1</sup> / <sub>2</sub>	241	8-22 (7/8)	1 <sup>1</sup> / <sub>4</sub>	44	5 <sup>5</sup> / <sub>16</sub>	135	1 <sup>1</sup> / <sub>8</sub>	28	5 <sup>1</sup> / <sub>2</sub>	139	5 <sup>1</sup> / <sub>2</sub>	140	¾	19.05	9 <sup>1</sup> / <sub>16</sub>	14	3 <sup>3</sup> / <sub>8</sub>	90	2 <sup>1</sup> / <sub>8</sub>	70	¾	9.5
8"	6 <sup>5</sup> / <sub>16</sub>	160	9 <sup>1</sup> / <sub>16</sub>	230	1 <sup>1</sup> / <sub>2</sub>	38	13 <sup>1</sup> / <sub>2</sub>	343	11 <sup>3</sup> / <sub>4</sub>	298	8-22 (7/8)	2 <sup>1</sup> / <sub>16</sub>	62	10 <sup>13</sup> / <sub>16</sub>	275	1 <sup>1</sup> / <sub>8</sub>	40	8 <sup>5</sup> / <sub>16</sub>	211	6	152	¾	22.23	1 <sup>1</sup> / <sub>16</sub>	17	4 <sup>15</sup> / <sub>16</sub>	125	4 <sup>1</sup> / <sub>8</sub>	105	7 <sup>1</sup> / <sub>16</sub>	11.5
10"	7 <sup>7</sup> / <sub>8</sub>	194	10 <sup>1</sup> / <sub>4</sub>	260	1 <sup>1</sup> / <sub>2</sub>	38	16	406	14 <sup>1</sup> / <sub>4</sub>	362	12-25 (1)	2 <sup>1</sup> / <sub>16</sub>	62	10 <sup>13</sup> / <sub>16</sub>	275	1 <sup>1</sup> / <sub>8</sub>	40	8 <sup>5</sup> / <sub>16</sub>	211	6 <sup>1</sup> / <sub>2</sub>	165	1 <sup>1</sup> / <sub>8</sub>	28.58	7 <sup>8</sup> / <sub>16</sub>	22	4 <sup>15</sup> / <sub>16</sub>	125	4 <sup>1</sup> / <sub>8</sub>	105	7 <sup>1</sup> / <sub>16</sub>	11.5
12"	8 <sup>11</sup> / <sub>16</sub>	220	11 <sup>13</sup> / <sub>16</sub>	300	1 <sup>1</sup> / <sub>2</sub>	38	19	483	17	432	12-25 (1)	3 <sup>3</sup> / <sub>16</sub>	78	10 <sup>13</sup> / <sub>16</sub>	275	1 <sup>1</sup> / <sub>8</sub>	40	8 <sup>11</sup> / <sub>16</sub>	220	7	178	1 <sup>1</sup> / <sub>4</sub>	31.75	1 <sup>9</sup> / <sub>16</sub>	24	4 <sup>15</sup> / <sub>16</sub>	125	4 <sup>1</sup> / <sub>8</sub>	105	7 <sup>1</sup> / <sub>16</sub>	11.5