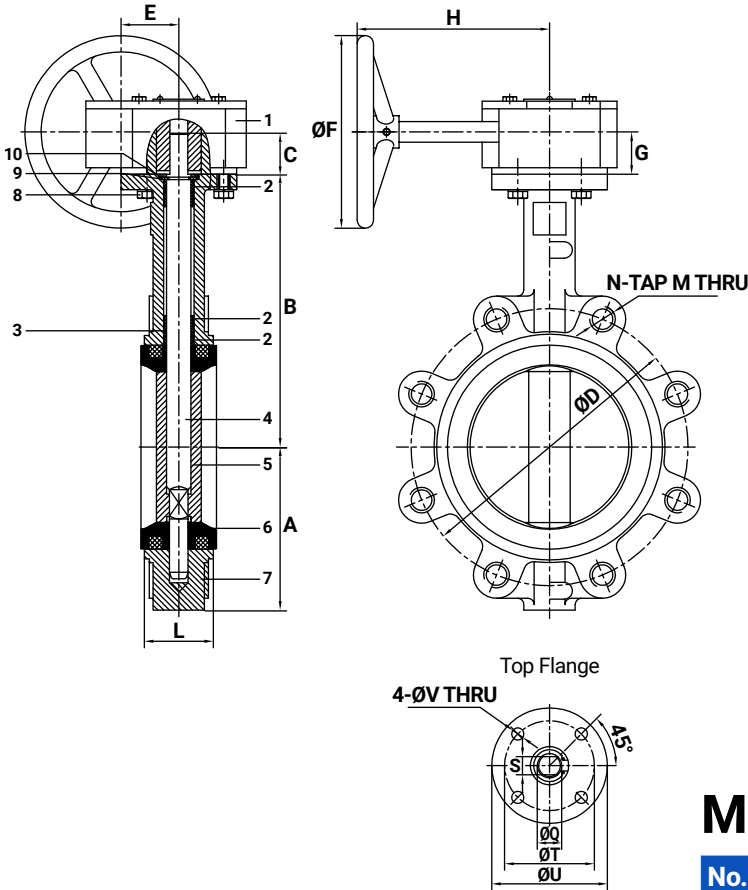


12" Cast Iron Butterfly Valve | Lug Style EPDM Seat, Gear Operated

Cast iron lug style butterfly valve with nickel plated ductile iron disc and EPDM seat.



Size	12"
Body Material	Cast Iron
Body Design	Lug Type
Operation	Gearbox
Connections	Flange / ANSI 125
Pressure Rating	225 PSI
Temperature Rating	-4° to 194° F
Length (End to End)	3"
Weight	104 lbs

Features

- Gearbox operator is self-locking in any position for throttle control
- Fusion-Bonded Epoxy Coating
- Does not require flange gaskets thanks to EPDM seat

Materials List

No.	Part Name	Material	No.	Part Name	Material
1	Gear Operator	DI, Carbon Steel, CI	6	Seat	EPDM
2	Bushing	PTFE	7	Body	Cast Iron
3	O-Ring	EPDM	8	Bolt	Stainless Steel
4	Stem	SS416	9	Thrust Clip	Carbon Steel
5	Disc	Ductile Iron	10	Circlip	Carbon Steel

Dimensions

Size	A	B	C	Class 150		E	ØF	G	H	ØQ	L	S	ØT	ØU	ØV															
in.	in.	mm	in.	mm	in.	mm	in.	mm	in.	mm	in.	mm	in.	mm	in.	mm														
2"	3	76	6 ³ / ₁₆	162	1 ¹ / ₄	32	4 ³ / ₄	121	5 ⁷ / ₈ "-10 UNC	4	1 ¹ / ₄	44	5 ⁵ / ₁₆	135	1 ¹ / ₈	28	5 ¹ / ₂	139	1 ¹ / ₂	12.7	1 ¹ / ₈	42	3 ³ / ₁₆	10	2 ³ / ₄	70	3 ³ / ₁₆	90	3 ³ / ₈	9.5
3"	3 ³ / ₄	95	7 ¹ / ₁₆	181	1 ¹ / ₄	32	6	152	5 ⁷ / ₈ "-10 UNC	4	1 ¹ / ₄	44	5 ⁵ / ₁₆	135	1 ¹ / ₈	28	5 ¹ / ₂	139	1 ¹ / ₂	12.7	1 ¹ / ₄	45	3 ³ / ₁₆	10	2 ³ / ₄	70	3 ³ / ₁₆	90	3 ³ / ₈	9.5
4"	4 ¹ / ₂	114	7 ⁷ / ₁₆	200	1 ¹ / ₄	32	7 ¹ / ₂	191	5 ⁷ / ₈ "-10 UNC	8	1 ¹ / ₄	44	5 ⁵ / ₁₆	135	1 ¹ / ₈	28	5 ¹ / ₂	139	5 ¹ / ₈	15.88	2 ¹ / ₁₆	52	1 ¹ / ₂	12	2 ³ / ₄	70	3 ³ / ₁₆	90	3 ³ / ₈	9.5
6"	5 ¹ / ₂	139	8 ⁷ / ₁₆	225	1 ¹ / ₄	32	9 ¹ / ₂	241	3 ⁴ / ₄ "-10 UNC	8	1 ¹ / ₄	44	5 ⁵ / ₁₆	135	1 ¹ / ₈	28	5 ¹ / ₂	139	3 ⁴ / ₈	19.05	2 ¹ / ₁₆	56	9 ¹ / ₁₆	14	2 ³ / ₄	70	3 ³ / ₁₆	90	3 ³ / ₈	9.5
8"	7	177	10 ¹ / ₄	260	1 ¹ / ₂	38	11 ¹ / ₄	298	3 ⁴ / ₄ "-10 UNC	8	2 ¹ / ₁₆	62	10 ¹³ / ₁₆	275	1 ¹ / ₁₆	40	8 ¹ / ₁₆	211	7 ¹ / ₈	22.23	2 ¹ / ₁₆	60	1 ¹ / ₁₆	17	4	102	4 ¹ / ₁₆	125	7 ¹ / ₁₆	11.5
10"	8	203	11 ¹ / ₂	292	1 ¹ / ₂	38	14 ¹ / ₄	362	7 ⁸ / ₁₆ "-9 UNC	12	2 ¹ / ₁₆	62	10 ¹³ / ₁₆	275	1 ¹ / ₁₆	40	8 ¹ / ₁₆	211	1 ¹ / ₈	28.58	2 ¹ / ₁₆	66	7 ¹ / ₈	22	4	102	4 ¹ / ₁₆	125	7 ¹ / ₁₆	11.5
12"	9 ¹ / ₂	242	13 ¹ / ₄	337	1 ¹ / ₂	38	17	432	7 ⁸ / ₁₆ "-9 UNC	12	3 ¹ / ₁₆	78	10 ¹³ / ₁₆	275	1 ¹ / ₁₆	40	8 ¹ / ₁₆	220	1 ¹ / ₄	31.75	3 ¹ / ₁₆	77	1 ¹ / ₁₆	24	4	102	4 ¹ / ₁₆	125	7 ¹ / ₁₆	11.5