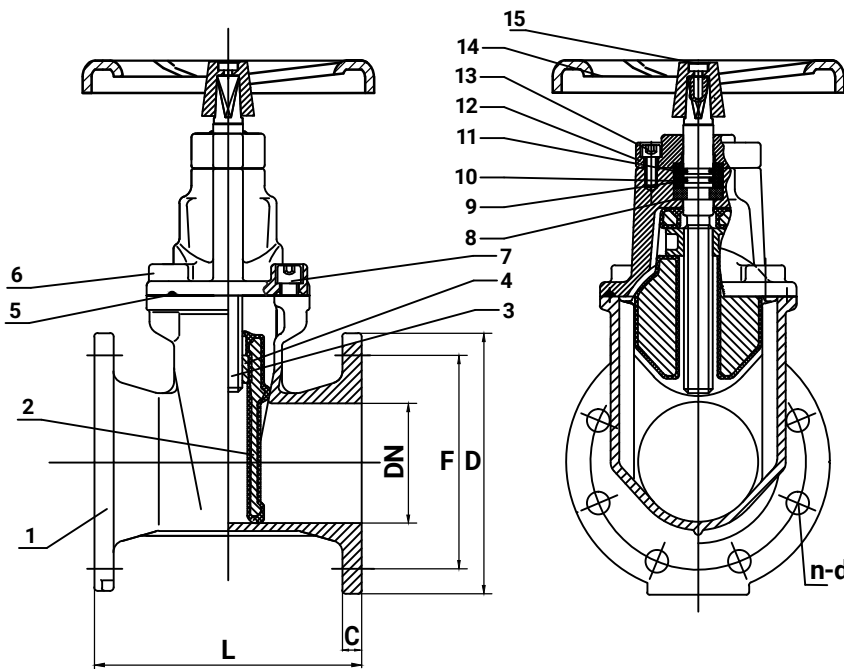


## 10" Ductile Iron Gate Valve

### Resilient Seated, Non-Rising Stem

Ductile iron gate valve with epoxy coating and EPDM covered ductile iron wedge for positive seating and resistance to high differential pressure.



<b>Size</b>	10"
<b>Design Standard</b>	AWWA C515
<b>Stem</b>	Non-Rising Stem
<b>Operator</b>	Handwheel
<b>Connections</b>	Flanges / ANSI 125
<b>Pressure Rating</b>	250 PSI
<b>Temperature Rating</b>	180° F
<b>Length (End to End)</b>	13"
<b>Weight</b>	227 lbs

### Features

- Non-Rising Stem
- Resilient Wedge
- Fusion-Bonded Epoxy Coating Inside & Outside
- Flanges Conform to ANSI B16.1

### Dimensions

Size	DN	L		D		F		C		n-d
in.	mm	in.	mm	in.	mm	in.	mm	in.	mm	mm (in.)
2"	50	7	178	5 <sup>7</sup> / <sub>8</sub>	150	4 <sup>3</sup> / <sub>4</sub>	120.5	5 <sup>1</sup> / <sub>8</sub>	15.9	4-19 (3/4)
3"	80	8	203	7 <sup>1</sup> / <sub>2</sub>	190	6	152.5	3 <sup>1</sup> / <sub>4</sub>	19.1	4-19 (3/4)
4"	100	9	229	9	229	7 <sup>1</sup> / <sub>2</sub>	190.5	1 <sup>5</sup> / <sub>16</sub>	23.9	8-19 (3/4)
6"	150	10 <sup>1</sup> / <sub>2</sub>	267	11	279	9 <sup>1</sup> / <sub>2</sub>	241.5	1	25.4	8-22 (7/8)
8"	200	11 <sup>1</sup> / <sub>2</sub>	292	13 <sup>1</sup> / <sub>2</sub>	343	11 <sup>1</sup> / <sub>4</sub>	298.5	1 <sup>1</sup> / <sub>8</sub>	28.6	8-22 (7/8)
<b>10"</b>	<b>250</b>	<b>13</b>	<b>330</b>	<b>16</b>	<b>406</b>	<b>14<sup>1</sup>/<sub>4</sub></b>	<b>362.5</b>	<b>1<sup>1</sup>/<sub>16</sub></b>	<b>30.2</b>	<b>12-25 (1)</b>
12"	300	14	356	19	483	17	432	1 <sup>1</sup> / <sub>4</sub>	31.8	12-25 (1)

### Materials List

No.	Part Name	Material
1	Body	GGG50
2	Disc	GGG50+EPDM
3	Stem	SS420
4	Stem Nut	Brass
5	Gasket	EPDM
6	Bonnet	GGG50
7	Bolts	Carbon Steel
8	Holding Ring	Brass
9	O-Ring	NBR
10	O-Ring	NBR
11	Seal Cartridge	POM
12	Gland	GGG50
13	Bolts	Carbon Steel
14	Handwheel	GGG50
15	Bolt	SS304