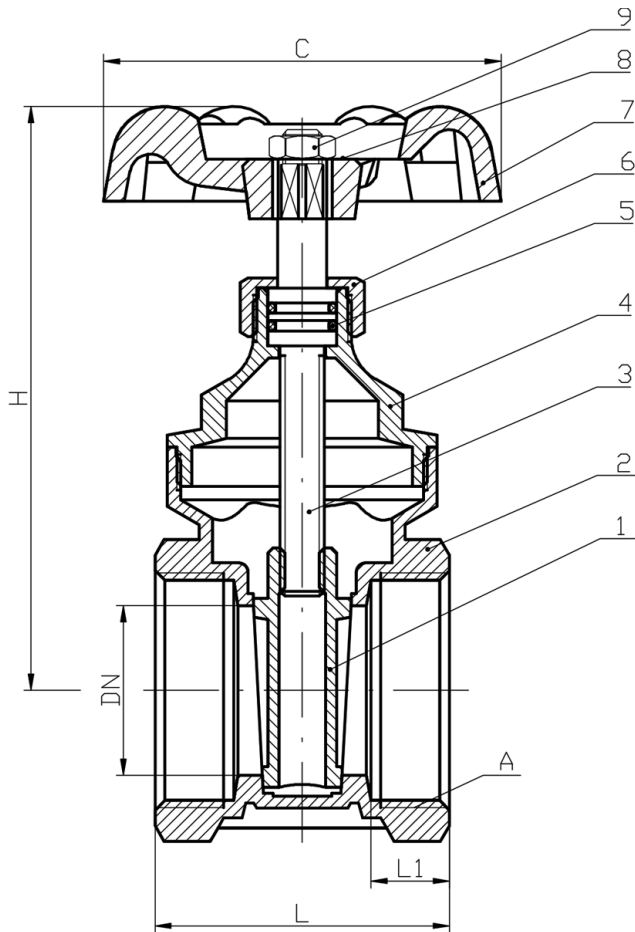


4" Brass Gate Valve



Size	4"
Connections	FNPT
Pressure Rating	145 PSI
Length (End to End)	4.53"
Weight	12.35 lbs

Dimensions

Size	A	DN	H	L1	L	C
in.	Threads Per In.	in. mm	in. mm	in. mm	in. mm	in. mm
2"	11.5	1.8 45	4.8 120	0.7 18	2.7 69	3.4 85
3"	8	2.7 69	8.2 208	0.9 22	3.6 92	5.1 129
4"	8	3.4 86	9.3 237	1.1 28	4.5 115	5.1 129

Materials List

No.	Part Name	Material
1	Disc	HPb57-3 Brass
2	Body	HPb57-3 Brass
3	Stem	HPb57-3 Brass
4	Bonnet	HPb57-3 Brass
5	O-Ring	NBR
6	Packing Nut	HPb57-3 Brass
7	Handwheel	Iron
8	Name Plate	Aluminum
9	Wheel Nut	C30 Steel