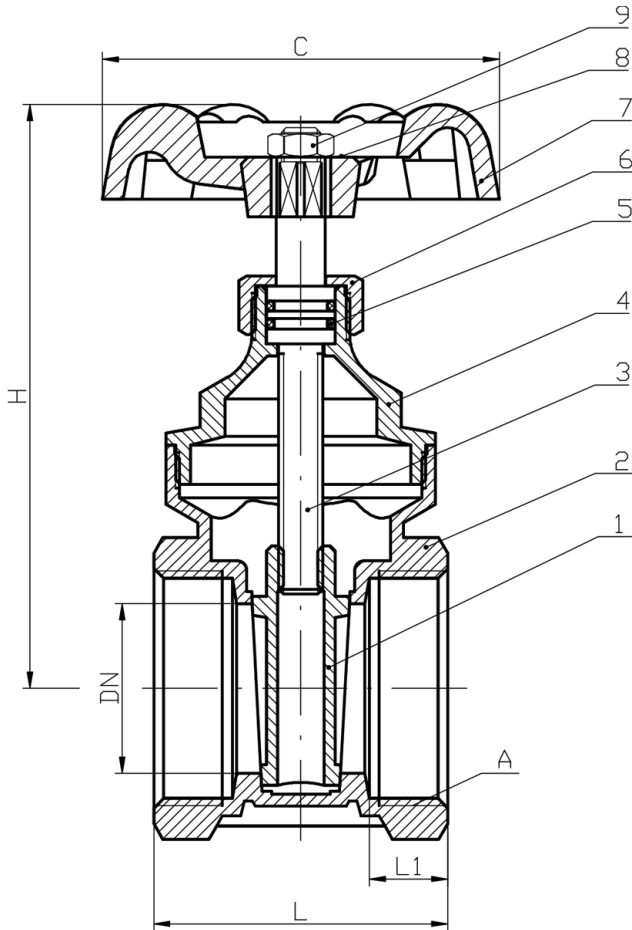


2" Brass Gate Valve



| | |
|----------------------------|----------|
| Size | 2" |
| Connections | FNPT |
| Pressure Rating | 232 PSI |
| Length (End to End) | 2.72" |
| Weight | 2.76 lbs |

Dimensions

| Size | A | DN | H | L1 | L | C |
|------|-----------------|--------|---------|--------|---------|---------|
| in. | Threads Per In. | in. mm | in. mm | in. mm | in. mm | in. mm |
| 2" | 11.5 | 1.8 45 | 4.8 120 | 0.7 18 | 2.7 69 | 3.4 85 |
| 3" | 8 | 2.7 69 | 8.2 208 | 0.9 22 | 3.6 92 | 5.1 129 |
| 4" | 8 | 3.4 86 | 9.3 237 | 1.1 28 | 4.5 115 | 5.1 129 |

Materials List

| No. | Part Name | Material |
|-----|-------------|---------------|
| 1 | Disc | HPb57-3 Brass |
| 2 | Body | HPb57-3 Brass |
| 3 | Stem | HPb57-3 Brass |
| 4 | Bonnet | HPb57-3 Brass |
| 5 | O-Ring | NBR |
| 6 | Packing Nut | HPb57-3 Brass |
| 7 | Handwheel | Iron |
| 8 | Name Plate | Aluminum |
| 9 | Wheel Nut | C30 Steel |