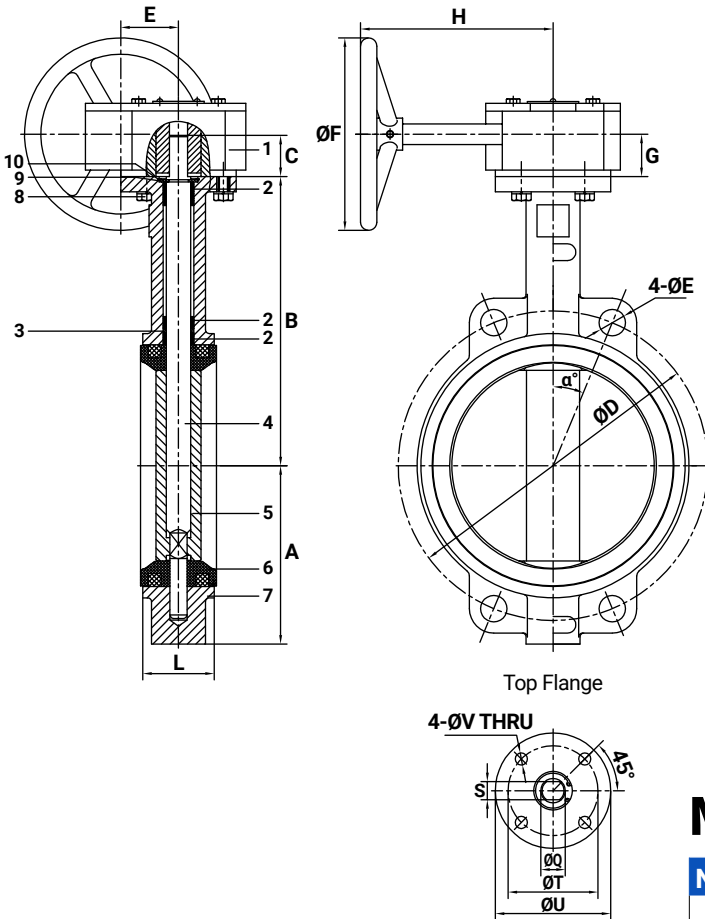


## 12" Cast Iron Butterfly Valve | Wafer EPDM Seat, Gear Operated

Cast iron wafer style butterfly valve with nickel plated ductile iron disc and EPDM seat.



<b>Size</b>	12"
<b>Body Material</b>	Cast Iron
<b>Body Design</b>	Wafer
<b>Operation</b>	Gearbox
<b>Connections</b>	Flange / ANSI 125
<b>Pressure Rating</b>	225 PSI
<b>Temperature Rating</b>	-4° to 194° F
<b>Length (End to End)</b>	3"
<b>Weight</b>	93 lbs

### Features

- Gearbox operator is self-locking in any position for throttle control
- Fusion-Bonded Epoxy Coating
- Does not require flange gaskets thanks to EPDM seat

### Materials List

No.	Part Name	Material	No.	Part Name	Material
1	Gear Operator	DI, Carbon Steel, CI	6	Seat	EPDM
2	Bushing	PTFE	7	Body	Cast Iron
3	O-Ring	EPDM	8	Bolt	Stainless Steel
4	Stem	SS416	9	Thrust Clip	Carbon Steel
5	Disc	Ductile Iron	10	Circlip	Carbon Steel

### Dimensions

Size	A	B	C	Class 150 (in. mm)			E	ØF	G	H	L	ØQ	S	ØT	ØU	ØV															
in.	in.	mm	in.	mm	in.	mm	a°	ØD	ØE	in.	mm	in.	mm	in.	mm	in.	mm														
2"	3	76	6 <sup>3</sup> / <sub>16</sub>	162	1 <sup>1</sup> / <sub>4</sub>	32	45°	4 <sup>3</sup> / <sub>4</sub>	121	1 <sup>1</sup> / <sub>16</sub>	17.5	1 <sup>1</sup> / <sub>4</sub>	44	5 <sup>5</sup> / <sub>16</sub>	135	1 <sup>1</sup> / <sub>8</sub>	28	5 <sup>1</sup> / <sub>2</sub>	139	1 <sup>1</sup> / <sub>8</sub>	42	1/2	12.7	3/8	10	2 <sup>3</sup> / <sub>4</sub>	70	3 <sup>3</sup> / <sub>16</sub>	90	3/8	9.5
3"	3 <sup>3</sup> / <sub>4</sub>	95	7 <sup>1</sup> / <sub>16</sub>	181	1 <sup>1</sup> / <sub>4</sub>	32	45°	6	152	1 <sup>1</sup> / <sub>16</sub>	17.5	1 <sup>1</sup> / <sub>4</sub>	44	5 <sup>5</sup> / <sub>16</sub>	135	1 <sup>1</sup> / <sub>8</sub>	28	5 <sup>1</sup> / <sub>2</sub>	139	1 <sup>1</sup> / <sub>4</sub>	45	1/2	12.7	3/8	10	2 <sup>3</sup> / <sub>4</sub>	70	3 <sup>3</sup> / <sub>16</sub>	90	3/8	9.5
4"	4 <sup>1</sup> / <sub>2</sub>	114	7 <sup>7</sup> / <sub>16</sub>	200	1 <sup>1</sup> / <sub>4</sub>	32	22.5°	7 <sup>1</sup> / <sub>2</sub>	191	1 <sup>1</sup> / <sub>16</sub>	17.5	1 <sup>1</sup> / <sub>4</sub>	44	5 <sup>5</sup> / <sub>16</sub>	135	1 <sup>1</sup> / <sub>8</sub>	28	5 <sup>1</sup> / <sub>2</sub>	139	2 <sup>1</sup> / <sub>16</sub>	52	5/8	15.88	1/2	12	2 <sup>3</sup> / <sub>4</sub>	70	3 <sup>3</sup> / <sub>16</sub>	90	3/8	9.5
6"	5 <sup>1</sup> / <sub>2</sub>	139	8 <sup>7</sup> / <sub>16</sub>	225	1 <sup>1</sup> / <sub>4</sub>	32	22.5°	9 <sup>1</sup> / <sub>2</sub>	241	1 <sup>3</sup> / <sub>16</sub>	20.6	1 <sup>1</sup> / <sub>4</sub>	44	5 <sup>5</sup> / <sub>16</sub>	135	1 <sup>1</sup> / <sub>8</sub>	28	5 <sup>1</sup> / <sub>2</sub>	139	2 <sup>3</sup> / <sub>16</sub>	56	3/4	19.05	9/16	14	2 <sup>3</sup> / <sub>4</sub>	70	3 <sup>3</sup> / <sub>16</sub>	90	3/8	9.5
8"	7	177	10 <sup>1</sup> / <sub>4</sub>	260	1 <sup>1</sup> / <sub>2</sub>	38	22.5°	11 <sup>1</sup> / <sub>4</sub>	298	1 <sup>3</sup> / <sub>16</sub>	20.6	2 <sup>1</sup> / <sub>16</sub>	62	10 <sup>19</sup> / <sub>16</sub>	275	1 <sup>1</sup> / <sub>16</sub>	40	8 <sup>1</sup> / <sub>16</sub>	211	2 <sup>3</sup> / <sub>16</sub>	60	7/8	22.23	1 <sup>1</sup> / <sub>16</sub>	17	4	102	4 <sup>19</sup> / <sub>16</sub>	125	7/16	11.5
10"	8	203	11 <sup>1</sup> / <sub>2</sub>	292	1 <sup>1</sup> / <sub>2</sub>	38	15°	14 <sup>1</sup> / <sub>4</sub>	362	1 <sup>3</sup> / <sub>16</sub>	23.8	2 <sup>1</sup> / <sub>16</sub>	62	10 <sup>19</sup> / <sub>16</sub>	275	1 <sup>1</sup> / <sub>16</sub>	40	8 <sup>1</sup> / <sub>16</sub>	211	2 <sup>3</sup> / <sub>16</sub>	66	1 <sup>1</sup> / <sub>8</sub>	28.58	7/8	22	4	102	4 <sup>19</sup> / <sub>16</sub>	125	7/16	11.5
12"	9 <sup>1</sup> / <sub>2</sub>	242	13 <sup>1</sup> / <sub>4</sub>	337	1 <sup>1</sup> / <sub>2</sub>	38	15°	17	432	1 <sup>3</sup> / <sub>16</sub>	23.8	3 <sup>3</sup> / <sub>16</sub>	78	10 <sup>19</sup> / <sub>16</sub>	275	1 <sup>1</sup> / <sub>16</sub>	40	8 <sup>1</sup> / <sub>16</sub>	220	3 <sup>1</sup> / <sub>16</sub>	77	1 <sup>1</sup> / <sub>4</sub>	31.75	1 <sup>1</sup> / <sub>16</sub>	24	4	102	4 <sup>19</sup> / <sub>16</sub>	125	7/16	11.5