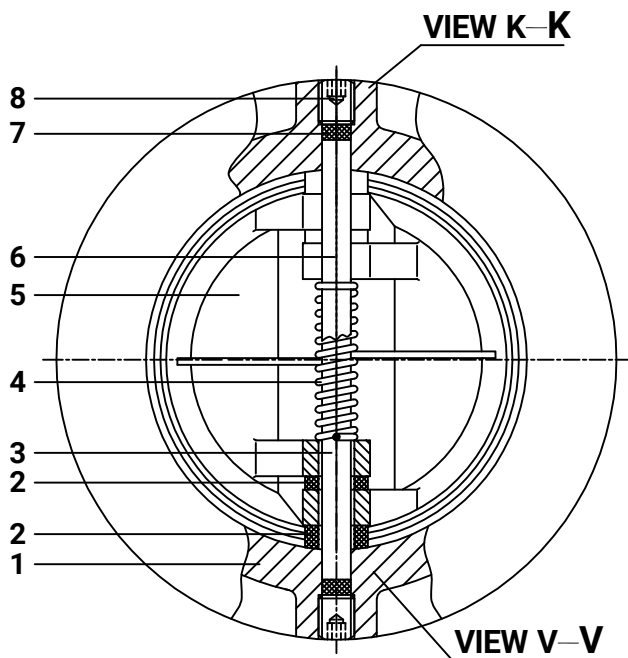
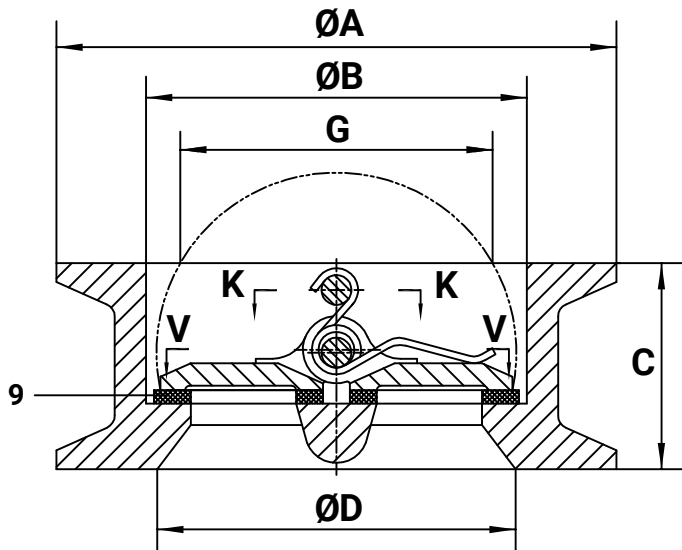


10" Cast Iron Wafer Check Valve

Dual Plate

Dual plate wafer check valve with EPDM seat, epoxy coated cast iron body, and nickel plated ductile iron discs.



Size	10"
Mechanism	Dual Swing Plates (Spring Loaded)
Connections	Flange / ANSI 125/150
Pressure Rating	150 PSI
Length (End to End)	4.5"
Weight	54 lbs

Features

- Compact wafer design can be installed in tight spaces
- Can be mounted horizontally or vertically
- Fusion-Bonded Epoxy Coating

Materials List

No.	Part Name	Material
1	Body	Cast Iron
2	Washer	PTFE
3	Lower Shaft	SS410
4	Spring	SS304
5	Disc	Ductile Iron
6	Upper Shaft	SS410
7	Seal Washer	EPDM
8	Thread Plug	Carbon Steel
9	Seat	EPDM

Dimensions

Size	A		B		C		D		G	
	in.	mm	in.	mm	in.	mm	in.	mm	in.	mm
2"	4 ¹ / ₈	105	2 ⁹ / ₁₆	65	1 ¹ / ₁₆	43	2 ³ / ₁₆	59	1 ⁹ / ₁₆	20
3"	5 ³ / ₈	137	3 ¹ / ₁₆	94	2 ¹ / ₂	64	3 ¹ / ₂	88	3	76
4"	6 ³ / ₈	175	4 ⁵ / ₈	117	2 ¹ / ₂	64	4 ⁵ / ₈	110	3 ³ / ₁₆	97
6"	8 ³ / ₄	222	6 ¹ / ₁₆	170	3	76	6 ¹ / ₁₆	170	5 ¹ / ₁₆	145
8"	11	279	8 ¹ / ₁₆	224	3 ¹ / ₂	89	8 ³ / ₄	222	7 ⁵ / ₈	193
10"	13³/₈	340	10⁷/₁₆	265	4¹/₂	114	10³/₈	264	9⁷/₁₆	239
12"	16 ¹ / ₈	410	12 ³ / ₁₆	310	4 ¹ / ₂	114	12 ³ / ₁₆	310	10 ³ / ₁₆	259